

User Manual

EDX-403TL

4 Channel Trailing Edge Dimmer Pack



INDEX

1. INTRODUCTION	3
1-1 FEATURE.....	3
1-2 SPECIFICATION	3
1-3 DIMENSION	3
1-4 PANEL INTRODUCTION.....	4
1-5 WIRING DIAGRAM	4
2. OPERATION	5
2-1 INITIALIZATION.....	5
2-2 DMX-512 ADDRESS SETTING	5
2-3 BYPASS DMX-512 SIGNAL	5
2-4 SINGLE CHANNEL DIMMING / SWITCHING MODE SETTING.....	6
2-5 DIMMING CURVE SETTING	6
2-6 DISPLAY TEMPERATURE	7
2-7 CURRENT DETECTION FUNCTION.....	7
2-8 VERSION NO. CHECK.....	7
3 EDX SYSTEMS.....	8
3-0 EDX MODE	8
3-1 ID No. SETTING.....	10
3-2 ZONE SETTING.....	10
3-3 SCENE FADE TIME SETTING	11
3-4 EDITING LEVEL OF EACH CHANNEL.....	11
3-5 SCENE SAVE	12
3-6 PARTITION (MULTI-ZONE) FUNCTION.....	13
3-6-1 Enable/Disable Partition	14
3-6-2 Partition Setting of Each Output.....	14
APPENDIX : FADE TIME TABLE	15
LIMITED WARRANTY.....	16

1. Introduction

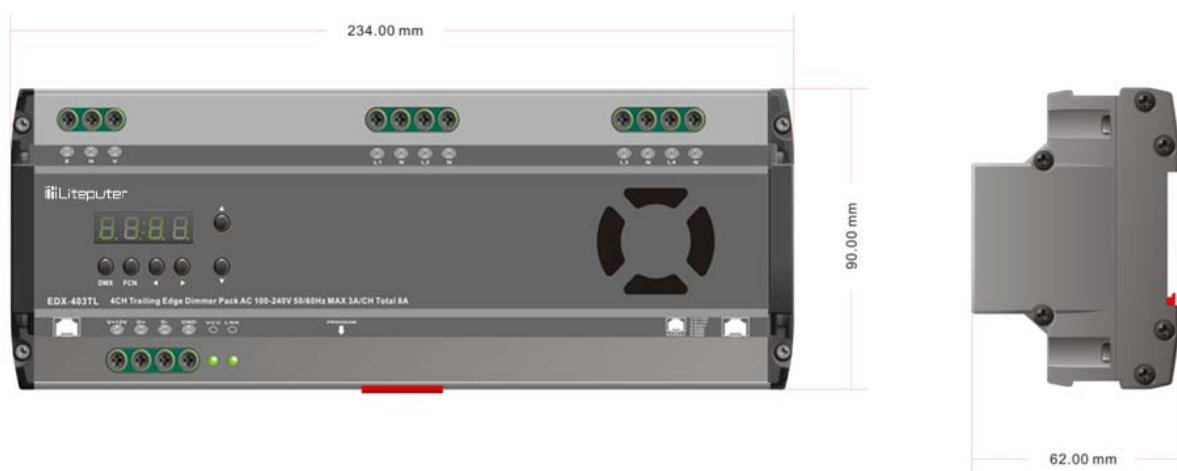
1-1 Feature

- Trailing edge dimming outputs.
- 4 channel output, 3A/CH (Max.), 8A in total
- Temperature measurement
- Current detection
- 6 scenes, independent fade time for each scene
- Dimming / switching mode
- Dimming curve(C1-C4)

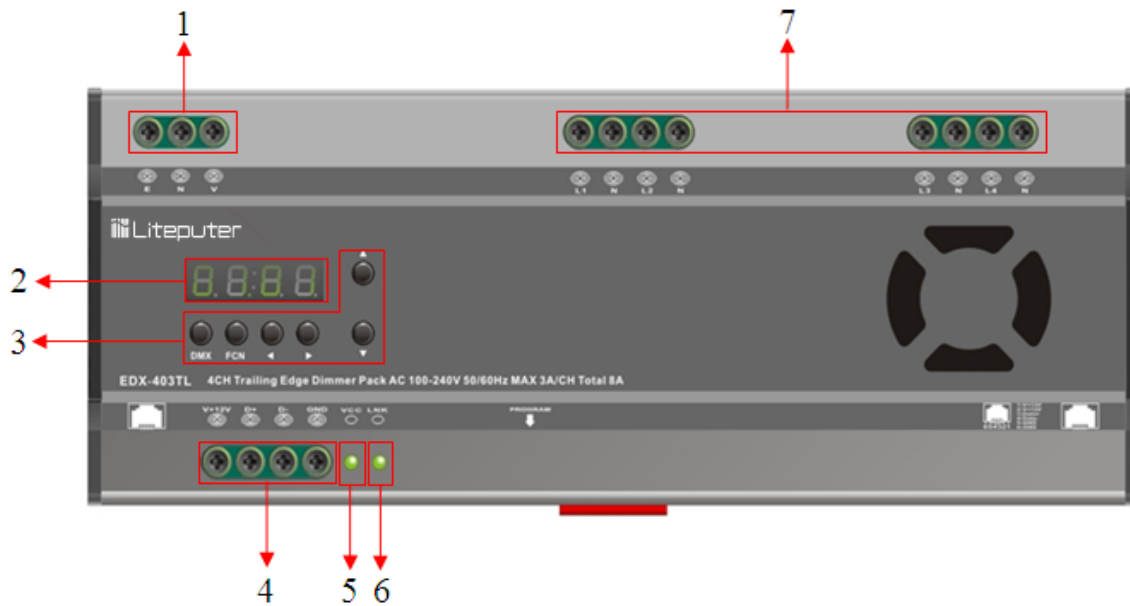
1-2 Specification

- Power supply: AC 100-240V 50Hz-60Hz
- Protocol: DMX-512/EDX
- Signal connector: 6P6C PHONE JACK *2, 4-Pin terminal * 1
- Installation: track-mounted
- Dimension: 234 (W) x 90 (H) x 62 (D) mm
- Weight: 670g

1-3 Dimension

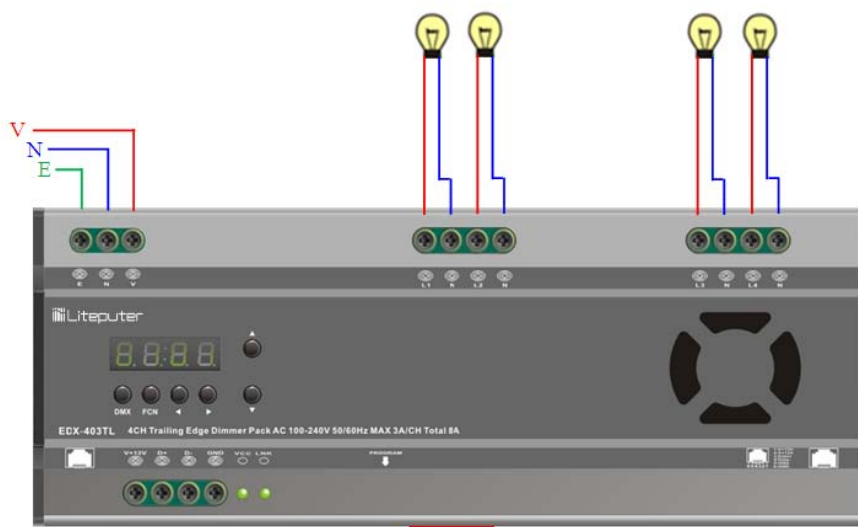


1-4 Panel Introduction



1	AC 100 – 240V Input	5	Power Indicator (VCC)
2	LED Display	6	LINK Indicator
3	Function button ▲ ▼ ▶ ◀ FCN DMX	7	AC Output x 4
4	DMX/EDX connector		

1-5 Wiring Diagram



2. Operation

2-1 Initialization

STEP-1: Hold **【DMX】** and **【FCN】** until LED displays,



STEP-2: Release both buttons, initialization completed, press **【FCN】** back to main screen.

2-2 DMX-512 Address Setting

STEP-1: Hold **【DMX】** and then press **【▲】** or **【▼】** to set the DMX-512 start channel address.



STEP-2: For example, press **【DMX】 + 【▲】**, LED displays,



DMX-512 start channel address is 3.

In DMX mode, the first dot is blinking means that DMX-512 signal presents.



2-3 Bypass DMX-512 Signal

STEP-1: Press **【FCN】** until LED displays,



STEP-2: Press **【▲】** or **【▼】** to select ON/OFF:



In which:

ON— Bypass external DMX signal

OFF— Accept external DMX signal

STEP-3: Press **【DMX】** to save the setting and exit.

2-4 Single Channel Dimming / Switching Mode Setting

STEP-1: Press **【FCN】** until LED displays,



The first two digits are selected channel. The last letter means output mode:

“d”: Dimming mode, “s”: Switching mode.

STEP-2: Press **【▶】** or **【◀】** shift to adjust channel. For example, press **【▶】** once, LED displays,



Now channel 2 is in Dimming Mode.

STEP-3: Press **【▲】** or **【▼】** to choose output mode. For example, press **【▲】**. LED displays,



Now channel 2 is in Switching Mode. AC output will be turned off when its input signal is lower than 20% ; AC output will be turned on when its input signal is higher than 50%.

STEP-4: Press **【DMX】** to save the setting and exit.

2-5 Dimming Curve Setting

STEP-1: Press **【FCN】** until LED displays,



The first digit is selected channel. The last two digits mean current dimming curve mode.

There are four modes of dimming curve:

C1, C2, C3: for general lamps

F: for fluorescent lamps

STEP-2: Press **【▶】** or **【◀】** shift to choose channel. For example, press **【▶】**, LED displays,



Now channel 2 is in C2 Dimming curve mode.

STEP-3: Press **【▲】** or **【▼】** to choose dimming curve mode. For example ,press **【▲】** ,LED displays,



Now, channel 2 is in C3 Dimming curve mode.

STEP-4: Press **【DMX】** to save the setting and exit.

2-6 Display Temperature

STEP-1:Press **【FCN】** until LED displays,



“20” mean temperature is 20°C.

Fan will be working automatically when the temperature is above 45°C. Once the fan is working, it will not be shut down until the temperature is below 20°C.

2-7 Current Detection Function

STEP-1:Press **【FCN】** until LED displays,



“00” means current is 0 A.

2-8 Version No. Check

STEP-1:Press **【FCN】** until LED displays,



V1.0 is software version No..

STEP-2: Press **【DMX】** to exit.

3 EDX Systems

EDX-403TL can work either in DMX-512 mode or EDX mode.

DMX-512 Mode: EDX-403TL can be controlled by DMX-512 controllers.

EDX Mode: EDX-403TL can be recalled its stored lighting scenes by connecting to ECP scene control panels.

Please refer DMX-512/EDX wiring guide on Lite-puter’s website: http://www.liteputer.com.tw/tech_guide.asp

3-0 EDX Mode

EDX is a protocol specifically designed for architectural and environmental lighting applications. EDX dimmers or devices are able to store scenes in themselves.

Each EDX device or ECP panel can be specified by a zone number. The scenes stored in EDX devices can be recalled by ECP panels with the same zone number.

For example, EDX devices configured as zone 1 can be controlled (recall scenes) by ECP panel configure as zone 1.

EDX devices configured as zone 5 can be controlled (recall scenes) by ECP panel configure as zone 5.

Figure 1: One EDX device with one ECP scene panel

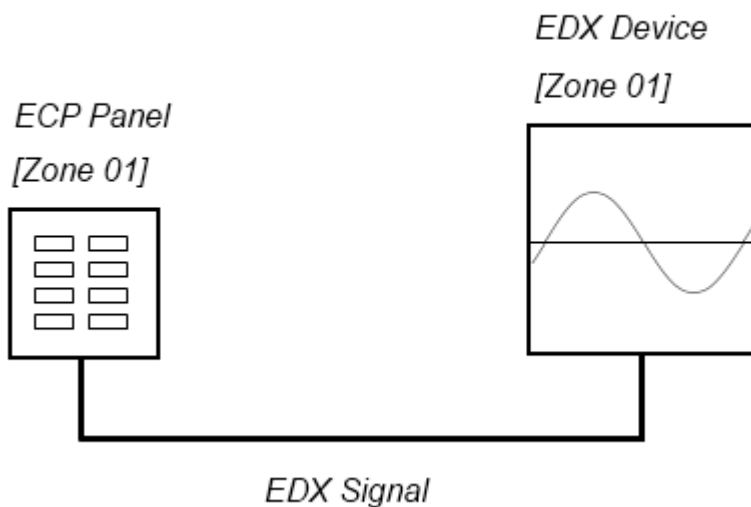
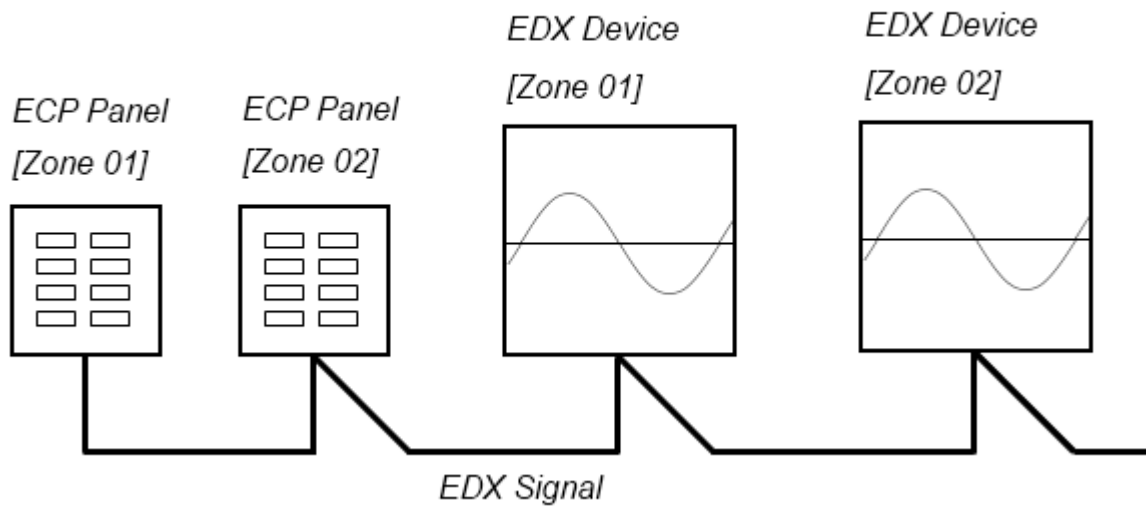


Figure 2: Multiple EDX devices with ECP scene panels



ECP scene panel 1 controls EDX device 1.

ECP scene panel 2 controls EDX device 2.

** If there are both DMX-512 and EDX signal present, DMX-512 signal has the highest priority.*

3-1 ID No. Setting

Each EDX series device must have a ID No.. When one device is working alone, there is no need to adjust the ID No., but when several devices are working together, each device must have a different ID No..

STEP-1: On the main page, press **【FCN】** twice to enter ID NO. setting.



STEP-2: Press **【▲】** or **【▼】** to change ID NO.. (Up to 999)

STEP-3: After setting, press **【DMX】** to save, press **【FCN】** to exit.

3-2 Zone Setting

Definition of zone: The device must set the Zone No. before using, which consists of two parts, one is the zone no. and the other is the start channel address. For example, if there are 4 EDX-403TL in zone 1 with total 16 channels, the zone code should be set as 01-01, 01-05, 01-09, and 01-13

STEP-1: Press **【FCN】** to adjust to ZONE setting function, LED displays,



The former "01" is current zone number; the latter "01" is start channel address.

STEP-2: The first 2 digits 01 are blinking. Press **【▲】** or **【▼】** to modify the current zone number. For example , press **【▲】** , LED displays,



STEP-3: Press **【▶】** or **【◀】** shift to adjust start channel, and the last 2 digits are blinking, LED displays,



STEP-4: Press **【▲】** or **【▼】** to modify start channel. For example, press **【▲】** , LED displays:



STEP-5: Press **【DMX】** to save the setting and exit.

3-3 Scene Fade Time Setting

STEP-1: Press **【FCN】** until LED displays,



The first digit means scene name: "0" means OFF scene, "1" means Scene 1, "2" means Scene 2 and so on.

0.1 means fade time is 0.1s.

STEP-2: The first digit '0' is blinking. Press **【▲】** or **【▼】** to choose scene. For example, when LED displays 0 F 1. 0, press **【▲】** to choose scene 1.



STEP-3: Press **【▶】** or **【◀】** shift to adjust the value, and the last 2 digits are blinking.

Now the fade time of scene 1 is 1second.



STEP-4: Press **【▲】** or **【▼】** to modify the current fade time.

STEP-5: Press **【DMX】** to save the setting and exit.

Please refer appendix for fader time table.

3-4 Editing Level of Each Channel

STEP-1: In the main screen, Press **【▲】** or **【▼】** to adjust dimming lever. LED displays,



The first digit is selected output channel, the last two digits are dimming lever for this channel.

Press **【▶】** or **【◀】** shift to choose channel. Press **【▲】** or **【▼】** to adjust dimming lever. LED displays,



STEP-2: Press **【DMX】** to save the setting and exit.

3-5 Scene Save

STEP-1: After editing channel dimming lever, press **【DMX】** , LED displays,



“01” means scene 1.

STEP-2: Press **【▲】** or **【▼】** to adjust scene number(0 ~ 6).

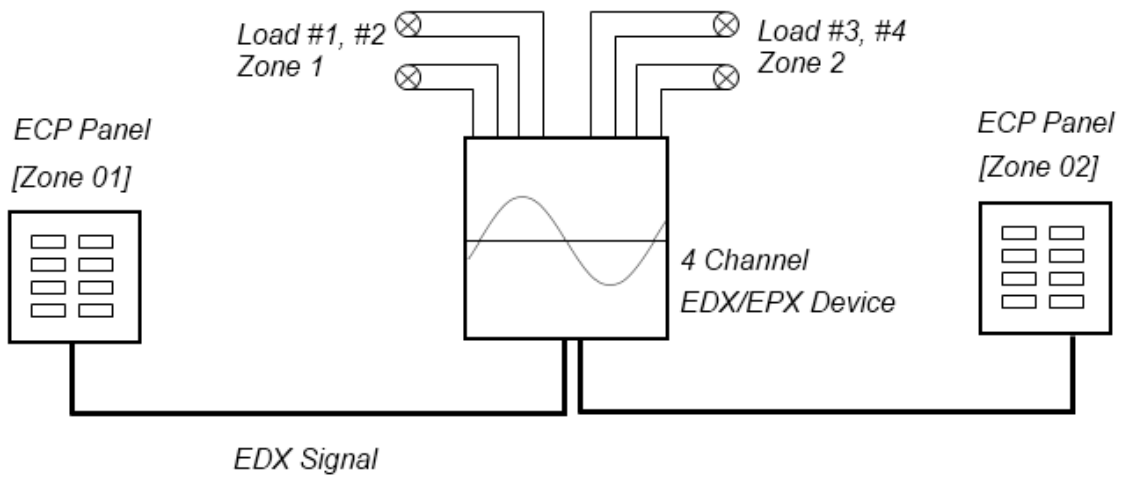
STEP-3: Press **【DMX】** to save the setting and exit.

3-6 Partition (Multi-Zone) Function

Generally, all channels on EDX-403TL can be only set to only 1 zone.

To make EDX-403TL more flexible, you can assign each channel on EDX-403TL to different zones by using partition function. For example, you assign channel 1 – 2 on EDX-403TL to partition 1 and channel 3 – 4 on EDX-403TL to partition 2. There are 2 control panels (ECP-106) connected to EDX-403TL, one is set to zone 1; the other is set to zone 2. If scenes are recalled by ECP-106 of zone 1, only channel 1 – 2 on EDX-403TL will change their dimming levels. If scenes are recalled by ECP-106 of zone 2, only channel 3– 4 on EDX-403TL will change their dimming levels.

**Figure: Channel 1 and 2 on EDX/EPX device in zone 1 (channel 1,2 are controlled by ECP panel in zone 1)
Channel 3 and 4 on EDX/EPX devices in zone 2 (channel 3,4 are controlled by ECP panel in zone 2)**



3-6-1 Enable/Disable Partition

STEP-1: Press **【FCN】** until LED displays,



Now partition (Multi-Zone) function is disabled.

STEP-2: press **【▲】** or **【▼】** to enable/disable partition (Multi-Zone) function.

For example press **【▲】** , LED displays,



Now partition function is enabled.

STEP-3: Press **【DMX】** to save the setting and exit.

3-6-2 Partition Setting of Each Output

STEP-1: Press **【FCN】** until LED displays,



The former "1-"is 1st output on EDX-403TL; the latter "01" is zone number. Now, it means output 1 is in zone 1.

STEP-2: The former "1-"are blinking, and press **【▲】** or **【▼】** to adjust output number. For example, press **【▲】**,

LED displays,



STEP-3: Press **【▶】** to shift to adjust zone, and the last two digits "01" are blinking:



STEP-4: Press **【▲】** or **【▼】** to adjust the zone. For example, Press **【▲】** , LED displays,



STEP-5: Now, Press **【▶】** shift to channel address in selected zone. LED displays,



STEP-6: Press **【▲】** or **【▼】** to adjust channel starting address in selected zone. Press **【▲】** , LED displays,



STEP-7: Press **【DMX】** to save the setting and exit.

Appendix : Fade Time Table

0.1	0.2	0.3	0.4	0.5	0.6	0.7	0.8	0.9	1
0.1 s	0.2 s	0.3 s	0.4 s	0.5 s	0.6 s	0.7 s	0.8 s	0.9 s	1 s
2	3	4	5	6	7	8	9	10	12
2 s	3 s	4 s	5 s	6 s	7 s	8 s	9 s	10 s	12 s
14	16	18	20	25	30	35	40	45	50
14 s	16 s	18 s	20 s	25 s	30 s	35 s	40 s	45 s	50 s
55	1 .	2 .	3 .	4 .	5 .	6 .	7 .	8 .	9 .
55 s	1 m	2 m	3 m	4 m	5 m	6 m	7 m	8 m	9 m
10 .	11 .	12 .	13 .	14 .	15 .	16 .	17 .	18 .	19 .
10 m	11 m	12 m	13 m	14 m	15 m	16 m	17 m	18 m	19 m
20 .	21 .	22 .	23 .	24 .	25 .	26 .	27 .	28 .	29 .
20 m	21 m	22 m	23 m	24 m	25 m	26 m	27 m	28 m	29 m
30 .	31 .	32 .	33 .	34 .	35 .	36 .	37 .	38 .	39 .
30 m	31 m	32 m	33 m	34 m	35 m	36 m	37 m	38 m	39 m
40 .	41 .	42 .	43 .	44 .	45 .	46 .	47 .	48 .	49 .
40 m	41 m	42 m	43 m	44 m	45 m	46 m	47 m	48 m	49 m
50 .	51 .	52 .	53 .	54 .	55 .	56 .	57 .	58 .	59 .
50 m	51 m	52 m	53 m	54 m	55 m	56 m	57 m	58 m	59 m
60 .	61 .	62 .	63 .	64 .	65 .	66 .	67 .	68 .	69 .
60 m	61 m	62 m	63 m	64 m	65 m	66 m	67 m	68 m	69 m
70 .	71 .	72 .	73 .	74 .	75 .	76 .	77 .	78 .	79 .
70 m	71 m	72 m	73 m	74 m	75 m	76 m	77 m	78 m	79 m
80 .	81 .	82 .	83 .	84 .	85 .	86 .	87 .	88 .	89 .
80 m	81 m	82 m	83 m	84 m	85 m	86 m	87 m	88 m	89 m
90 .	91 .	92 .	93 .	94 .	95 .	96 .	97 .	98 .	99 .
90 m	91 m	92 m	93 m	94 m	95 m	96 m	97 m	98 m	99 m

Limited Warranty

1. Lite-Puter is only responsible for the product itself.
2. Lite-Puter warrants to repair any manufacturing defects within one year of distribution date.
3. Lite-Puter does not offer on-site service. Should a defect appear in Lite-Puter' s product, please deliver the product to local distributors or Taiwan Headquarters.
4. This Limited Warranty does not cover:
 - a. Any fault caused by false usage or imprudence (collision, inadequate installation or adjustment, insufficient ventilation, or improper repairs).
 - b. Force majeure factors (flooding, earthquake, volcanic eruption, or other factors beyond Lite-Puter' s control).
 - c. Labor costs incurred in diagnosis of defects; installation, reinstallation, wiring, rewiring, repairing, adjustment, or reprogramming of a product; or any other consequential expenses.
 - d. Other Lite-Puter or non-Lite-Puter products or devices offered, packaged, or sold with the product.
5. Lite-Puter does not warrant that the product will operate without interruption or free of error.

World Headquarters :

Lite-Puter Enterprise Co., Ltd.

Address: 11F, No. 189, Gangqian Rd., Neihu Dist., Taipei City 11494, Taiwan.

Tel: +886-2-27998099

Fax: +886-2-27993828

Website: www.liteputer.com.tw

E-mail: sales@liteputer.com.tw

Shanghai Factory :

Lite-Puter Technology (Shanghai) Co.,Ltd.

Address: No. 375, Xingmei Road, Minhang Dist., Shanghai, China

Zip Code: 200237

Tel: +86-21-54408210

Fax: +86-21-54403376

Website: www.liteputer.com.tw

E-mail: sales_china@liteputer.com.tw